

Daughterboard DB-FV1 1R

www.uk-electronic.de, Vor dem Kirchtore 1, 39164 Wanzleben-Börde, Germany

Characteristics:

1x Reverb without Potentiometers
Mono In and Stereo Out

Short description:

The DB-FV1 1R module is an external module with 1 preprogrammed Reverb for guitar. the input is mono, stereo output. The daughterboard can be used for foot pedals or for installation into an amplifier. The basic idea of the module was to create an equivalent module to the BTDR-2 modules.

Operation requires an external circuit consisting of necessary power supply (minimum + 5V DC), input buffer and output buffer. With the aid of 3 additional Potentiometers with a value of each 10K-B running on the module also other programs that can be programmed into the external EEPROM 24LC32A on demand course beforehand.

For this purpose, for example, would the programs from the module DB-FV1 8G belong. The lack of coding of DB-FV1 1R board the program always runs to channel 8 (S0, S1, S2 all at H level).



Ersatz für Belton BTDR2-X

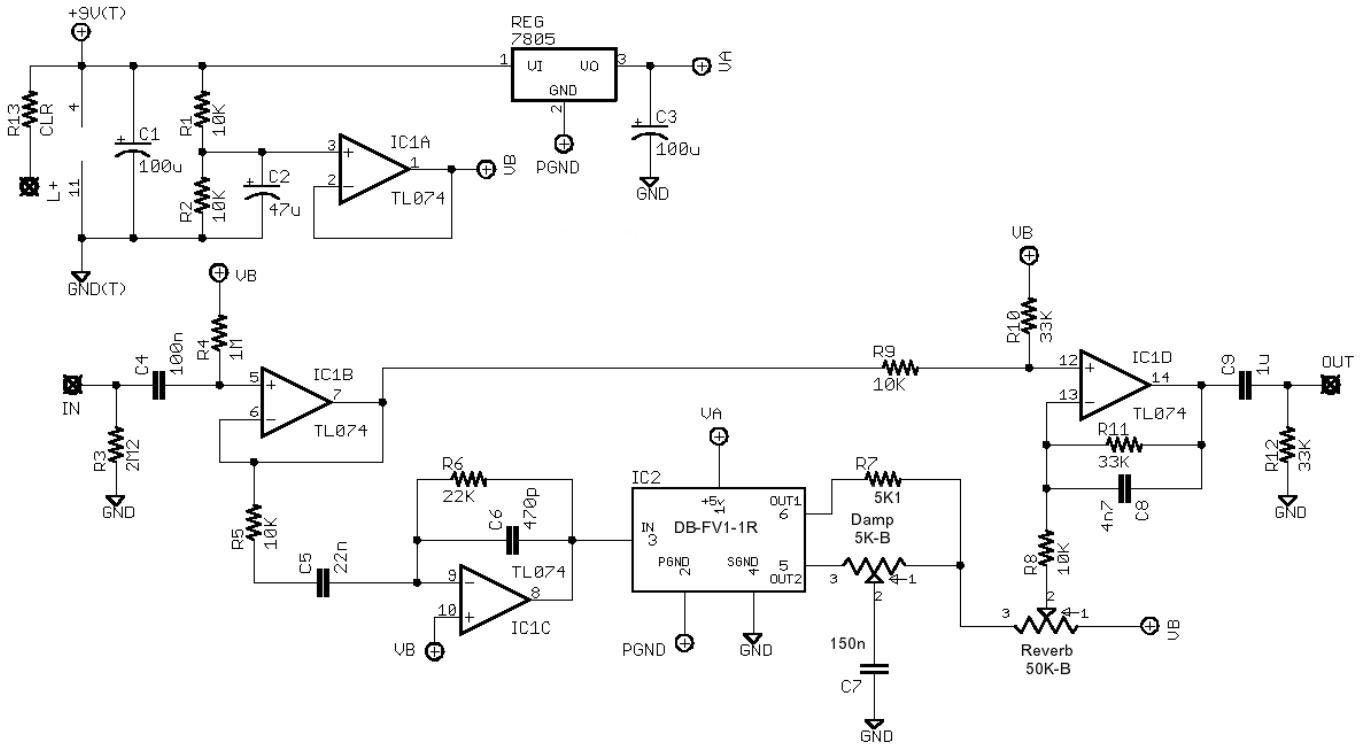
Size:
29mm x 37,5mm

Prg #	Description	POT0	POT1	POT2
0	Echo+Reverb	Reverb level	Delay	Echo level
1	Echo/Repeat+Reverb	Reverb level	Delay	Echo level
2	Chorus+Reverb	Reverb level	Rate	Chorus level
3	Flange+Reverb	Reverb level	Rate	Flange level
4	Phase Shifter+Reverb	Reverb level	Phase rate	Sweep width
5	Tremolo+Reverb	Reverb level	Rate	Tremolo level
6	Vibrato+Reverb	Reverb level	Vibrato rate	Vibrato width
7	Wah+Reverb	Reverb level	Sensitivity	Level/filter Q

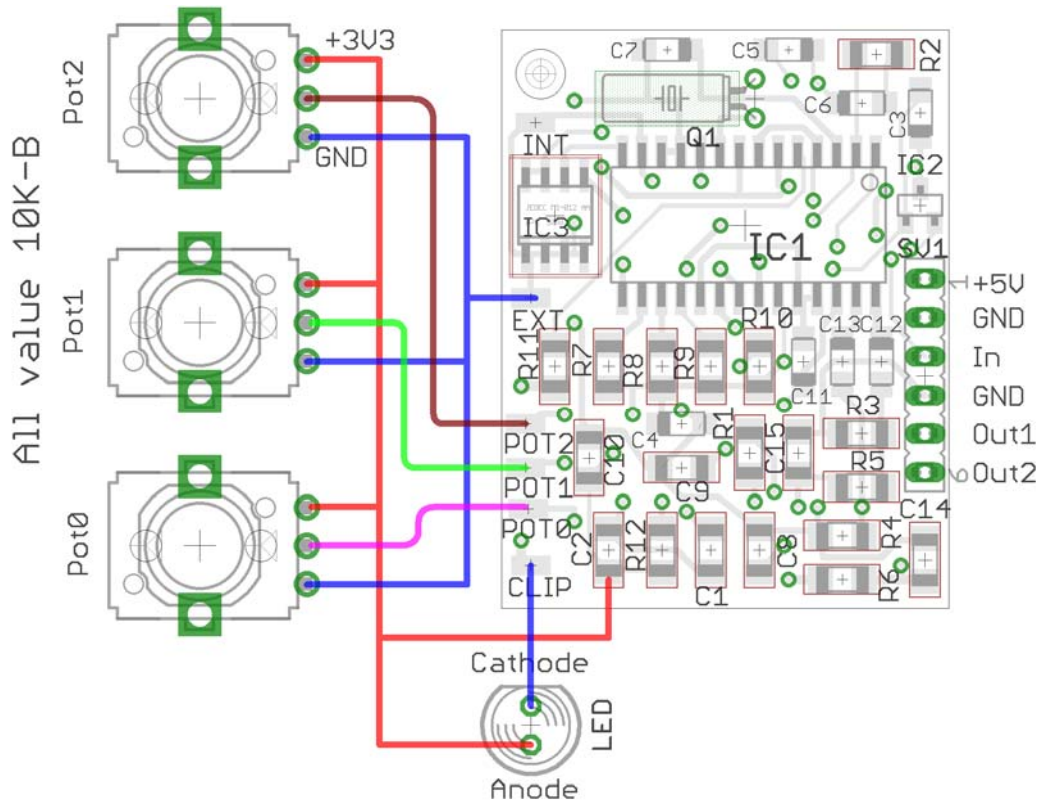
UK-electronic
Vor dem Kirchtore 1
OT Hohendodeleben
39164 Wanzleben –Börde
Germany

Rev. 1.0
02.10.2015

Typical application:



External controlling by 3 Pots for other programs



UK-electronic
Vor dem Kirchtor 1
OT Hohendodeleben
39164 Wanzleben –Börde
Germany

Rev. 1.0
02.10.2015